

ADDING A COMB LIP TO THE SPRIKO BINS:



Problem:

Currently the Spriko type bin can only be picked up on its trunnion pins. This means that only certain lifters, namely those fitted with trunnion arms, can be used for servicing this style bin.

Solution:

The solution is simple and inexpensive. Adding a comb bracket to the bin will enable the bin to be picked up by many more lifters, including those without trunnion arms.

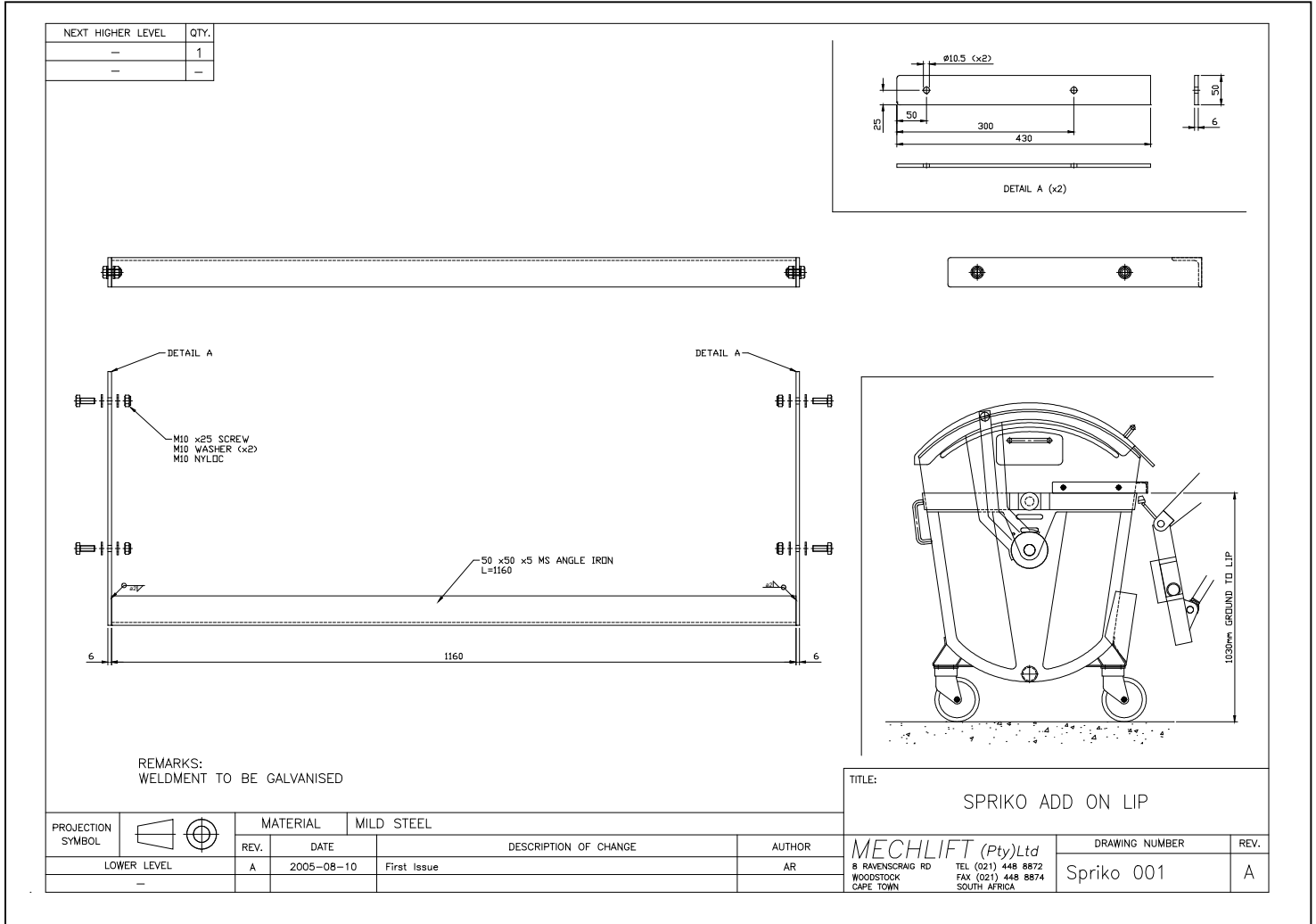
Procedure:

All that is required is to add a piece of 50 x50 x5 angle iron to the front on the bin, (see attached diagram - Spriko 001 for these details). This can be added as a bolt on feature, causing no real damage to the bins themselves. It is recommended to have this comb lip galvanized to prevent rusting.

Known Issues:

No lid opener, this can be over come by opening the lid before emptying the bin. A simple method for this would be to use a chain and hook to secure the lid in the open position.

Details of construction:



Further Information:

Should you require further information, please feel free to contact Mechliff (Pty) Ltd on 021 448 8872

