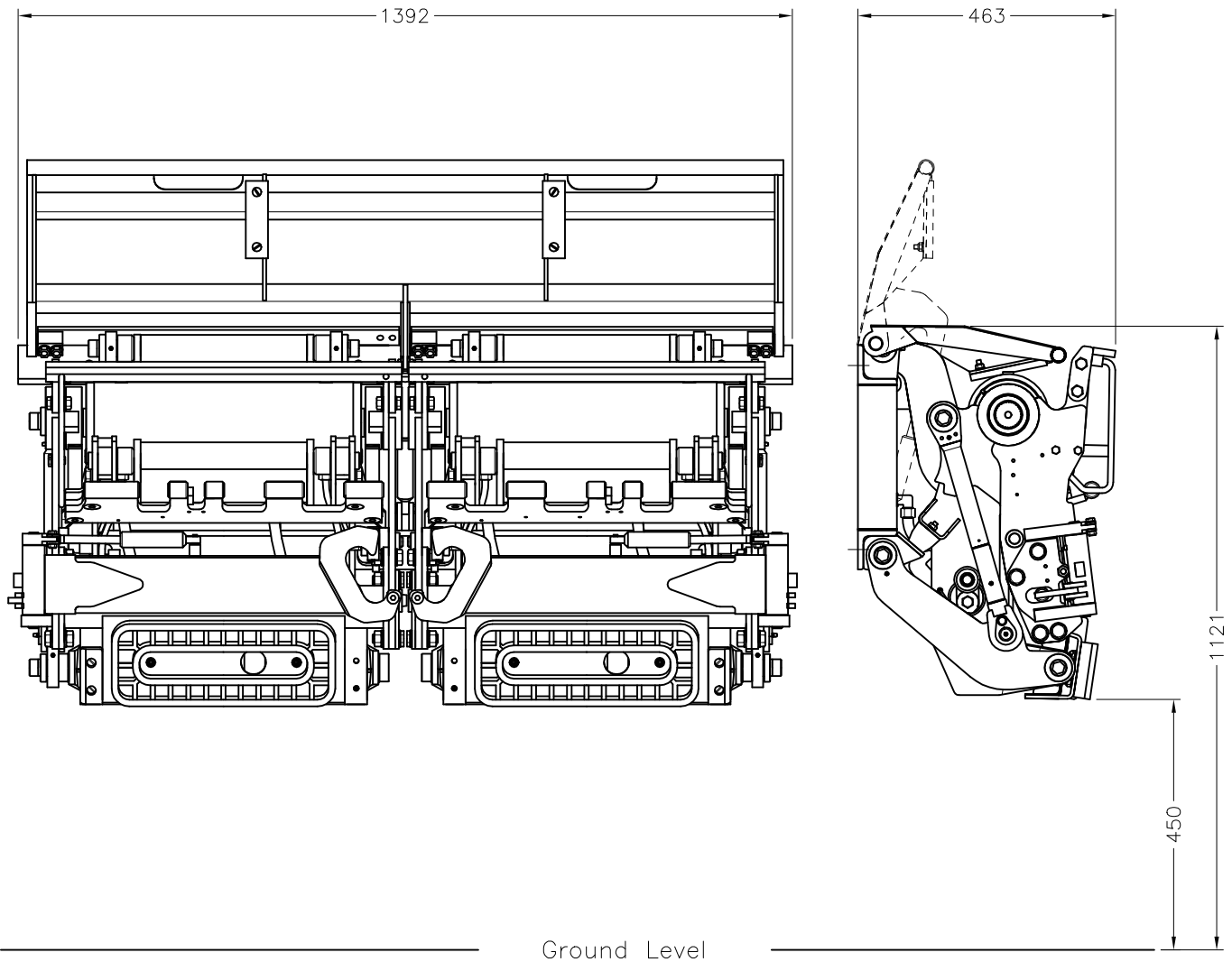


DIMENSIONS:

MECHLIFT 805



SPECIFICATIONS:

DIN/MGB BIN SIZES:

60 to 360 litre SPLIT COMB

500 to 1100 litre COMBINED COMB

CYCLE TIME: 8 sec. min. SPLIT COMB

15 sec. min. COMBINED COMB

LIFTING CAPACITY:

700 kg (at 150 bar setting)

MASS: 390 kg

HYDRAULIC REQUIREMENTS

HYDRAULIC PRESSURE:

180 bar SUPPLY PUMP CAPACITY
(lower pressures and loads adjustable)

HYDRAULIC FLOW:

28 litre/min for 8 sec. cycle time

FEATURES:

Automatic interlocking of combs when trunnion arms are opened, no exposed hydraulic cylinder rods to get damaged and ingest dirt, damage in the event of collisions is limited to inexpensive components, can be maintained by normal workshop personnel without any special training.