

MECHlift ML 150 Bin Lifter with splined actuator shafts



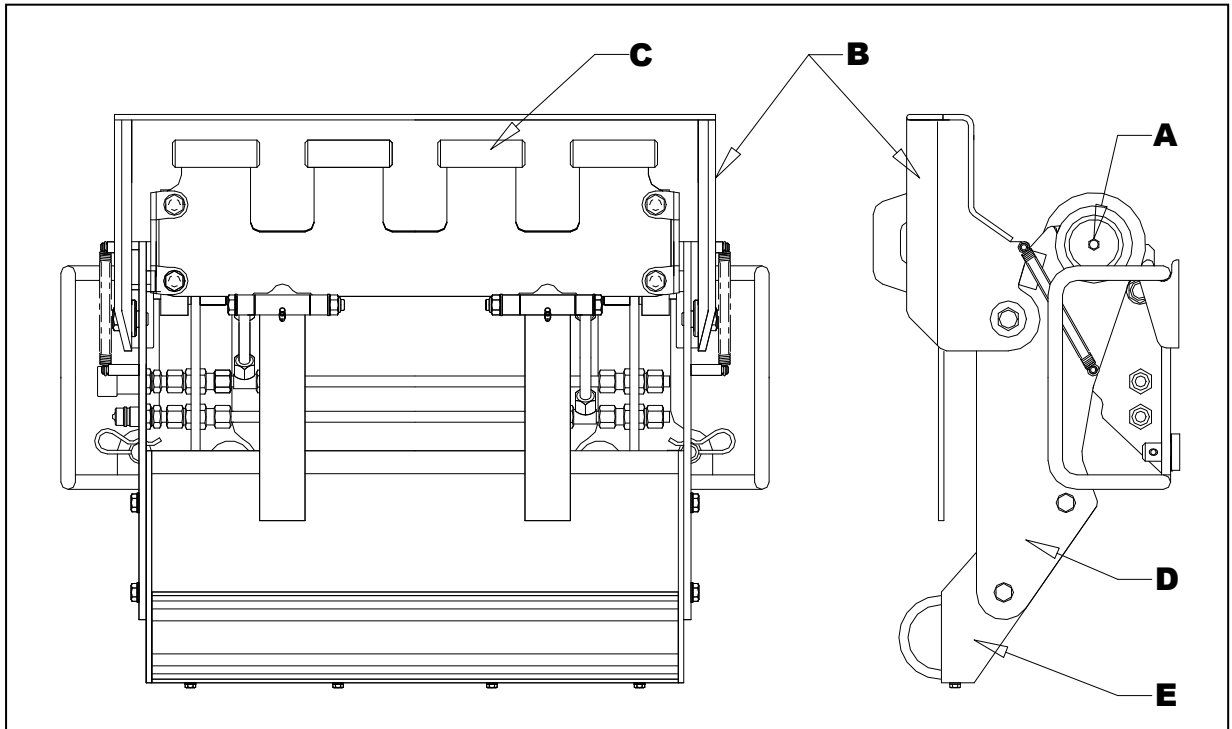
Spare Parts Catalogue

- Prices effective 1st January 2017 -



ML 150 BIN LIFTER ASSEMBLY

Rough guide to component identification



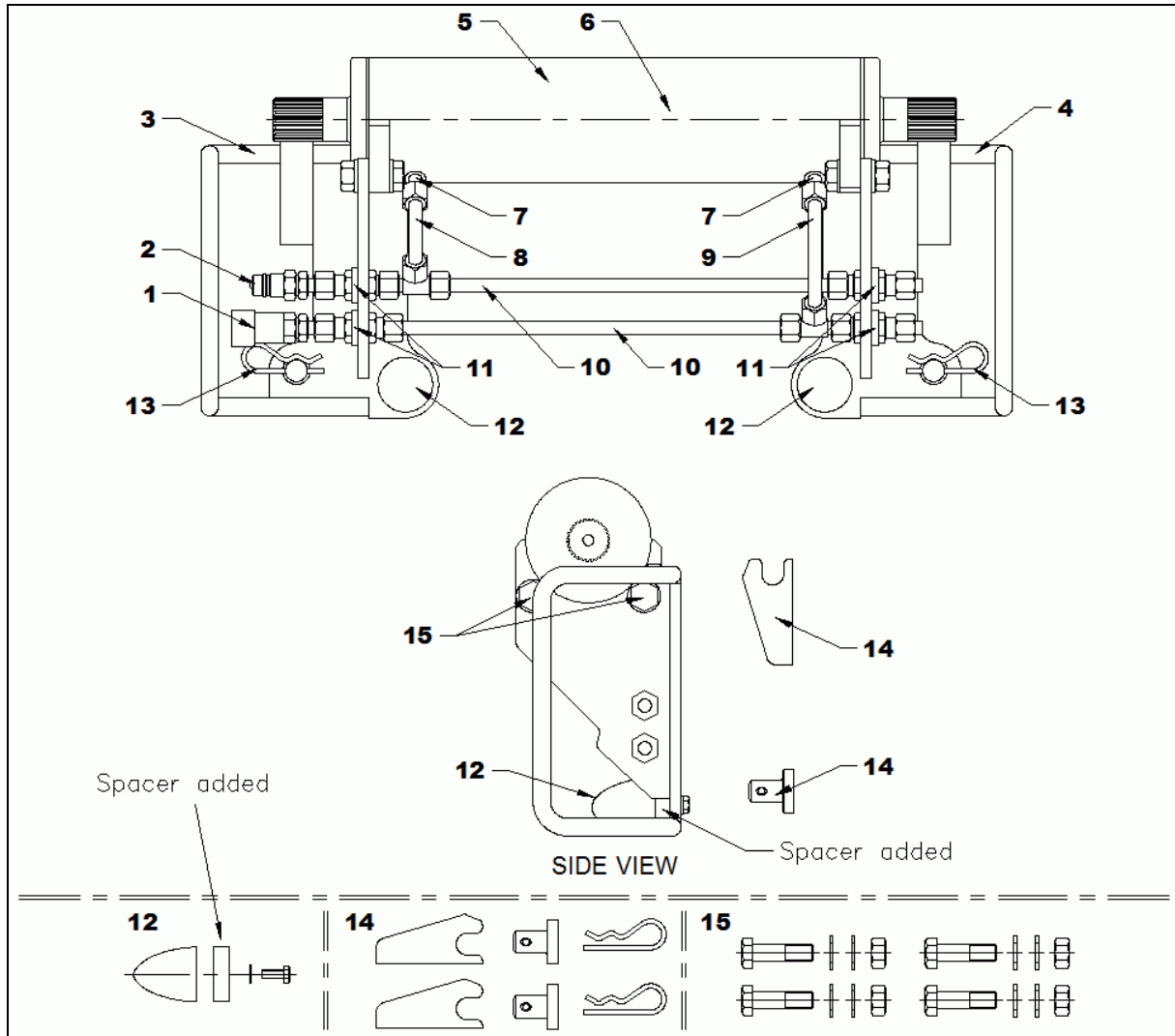
Ref	PART	Page
A	Actuator & Carrier Assembly <i>incl.</i> Actuator Service Parts	4, 5, 6
B	Lip Catch Assembly (known to some as a Lid)	7
C	Comb Plate & Fulcrum Arm Assemblies	8, 9, 10
D	Swing Arm Assemblies LH & RH	11, 12
E	Cross Member Box Assembly (known to some as a Push Box)	13
	... LIFTLOGGER ...	14

Contact details for Mechlift on page 15

Partsmen:

- **Always** quote the Mechlift part numbers when ordering parts
- Part numbers ending in 1 or 3 usually refer to Left Hand Side parts
- Part numbers ending in 2 or 4 usually refer to Right Hand Side parts

ACTUATOR & CARRIER



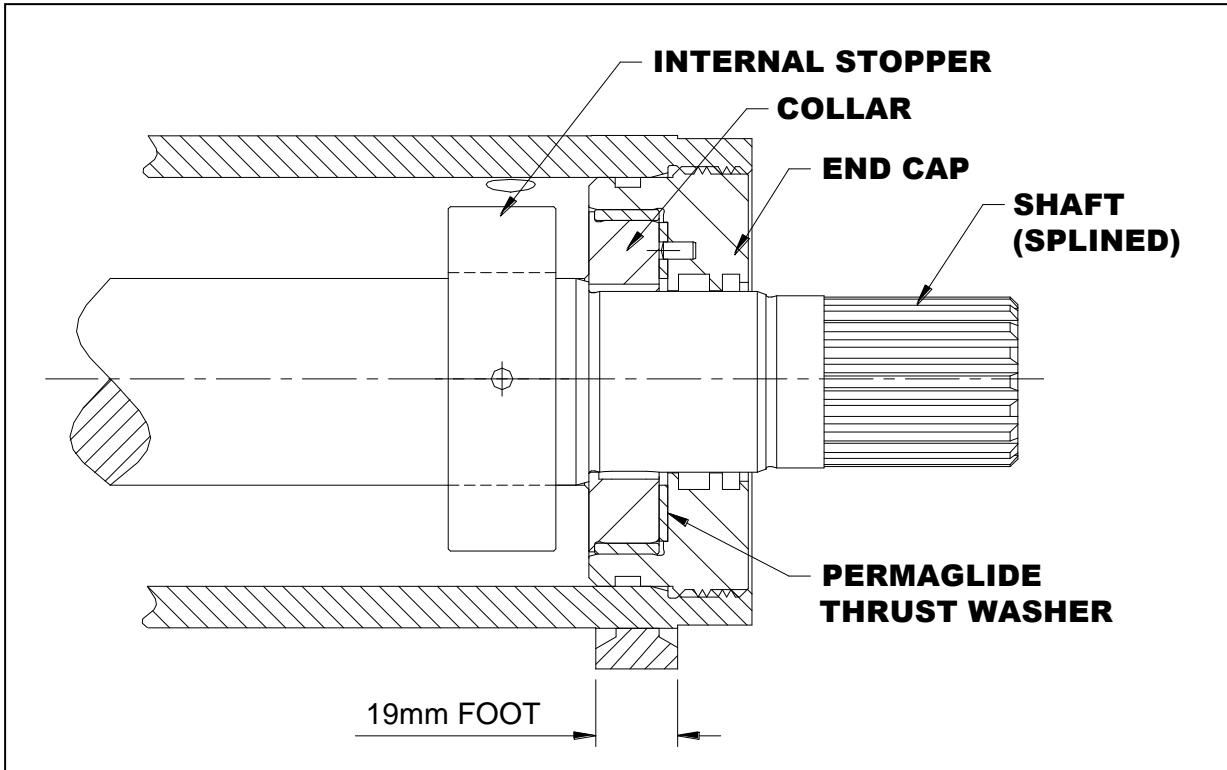
Actuator and Carrier (cont.):

No.	PART No.	PART	Qty per Lifter	Unit Price
1	HCF12,5.ISO	QUICK COUPLER 1/2 FEMALE PIN TYPE	1	R 430.00
2	HCM12,5.ISO	QUICK COUPLER 1/2 MALE PIN TYPE	1	R 195.00
3	15 11 101 W	ACTUATOR SUPPORT BRACKET - LH	1	R 1,213.15
4	15 11 102 W	ACTUATOR SUPPORT BRACKET – RH (*)	1	R 1,323.00
5	08 10 117 X	S2560 ACTUATOR WITH SPLINES	1	R 45,815.00
6	Actuator Parts	ACTUATOR SERVICE PARTS	1	see page 6
7	03 70 001 E	SPECIAL FITTING – ACTUATOR PORT	2	R 148.20
8	15 10 002 E	PIPE – 'L' SHAPE ASSEMBLY	1	R 239.00
9	15 10 001 E	PIPE – 'S' SHAPE ASSEMBLY	1	R 241.00
10	15 10 003 E	PIPE – STRAIGHT ASSEMBLY (same top and bottom)	2	R 235.20
11	03 10 201 E	PIPE FITTING SPACER	4	R 33.55
12	05 10 060 K	CONICAL BUMP RUBBER KIT - new	2	R 261.00
13	MS12	GRIP CLIP S12	2	R 14.40
14	07 91 100 K	WELD ON ATTACHMENT KIT (hooks, stubs & grip clips)	1	R 426.90
15	07 90 106 K	KIT – ACTUATOR FASTNERS	1	R 112.50

(*) includes bracketing for LiftLogger

Contact details for Mechlift on Page 15

ACTUATOR SERVICE PARTS



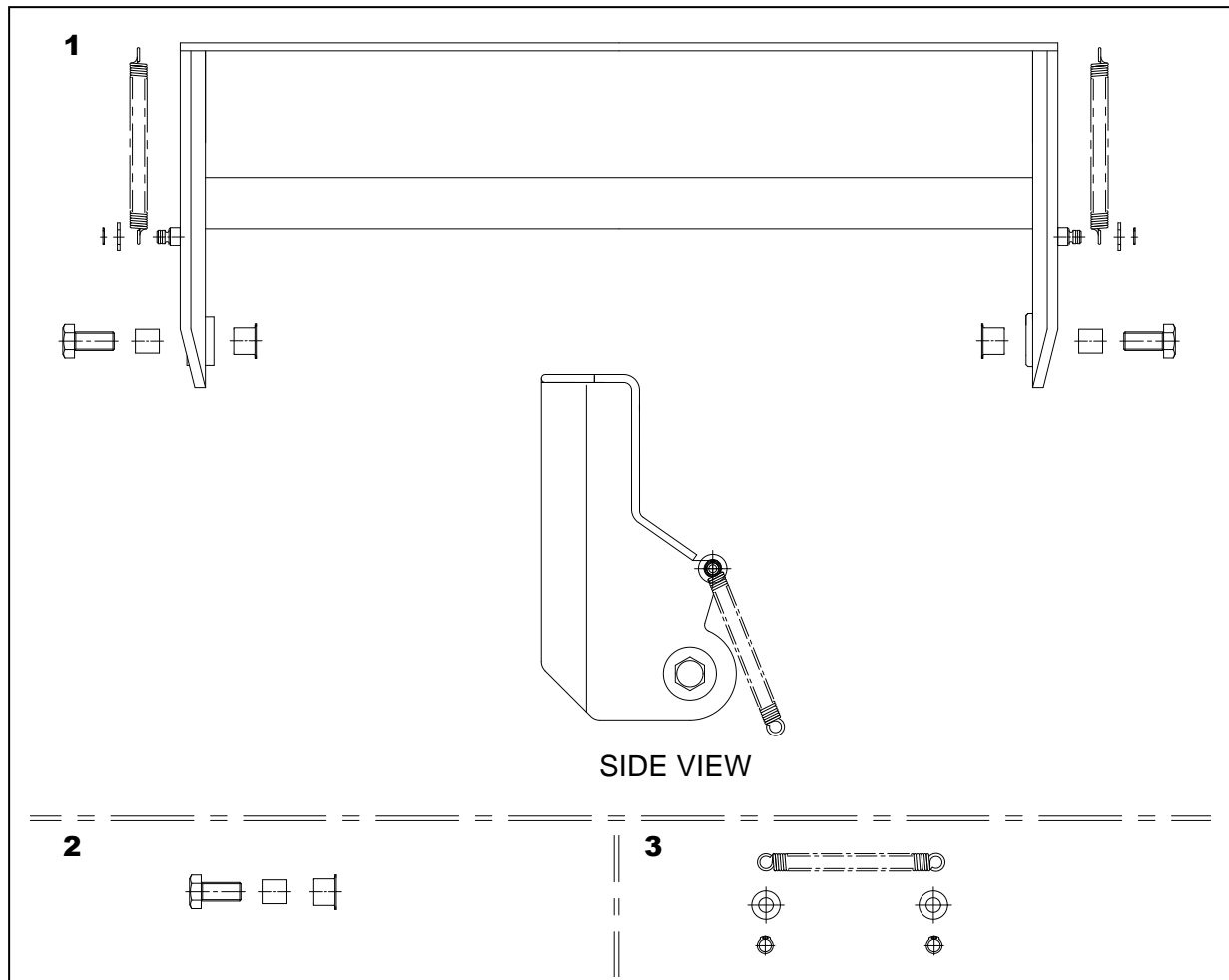
Part No.	Part	Qty per Actuator	Unit Price
08 10 117 X	S2560 ACTUATOR (Splined) – COMPLETE UNIT	1	R 45,815.00
A SKH25 000	SEAL & BRG KIT – For full overhaul (Genuine OEM) (includes stopper , thrust washers and seals)	1	R 5,324.00
A SKH25 300	SEAL KIT – End cap side only (Genuine OEM) (includes wiper, seal, o’ring, backup ring)	2	R 888.75
06 10 116 T	ACTUATOR INTERNAL STOPPER (use only genuine part)	1	R 253.00
A SKH25 002	THRUST WASHER	2	R 376.00
08 10 117 X SFT	SHAFT – EURO S2560 (Splined)	1	R 12,700.00
08 10 117 X CO	COLLAR	2	R 1,023.00
08 10 117 X EC	END CAP (without seals)	2	R 1,200.00

NB

Observe internal timing marks **BEFORE** pulling piston and shaft from barrel

LIP CATCH FRAME ASSEMBLY

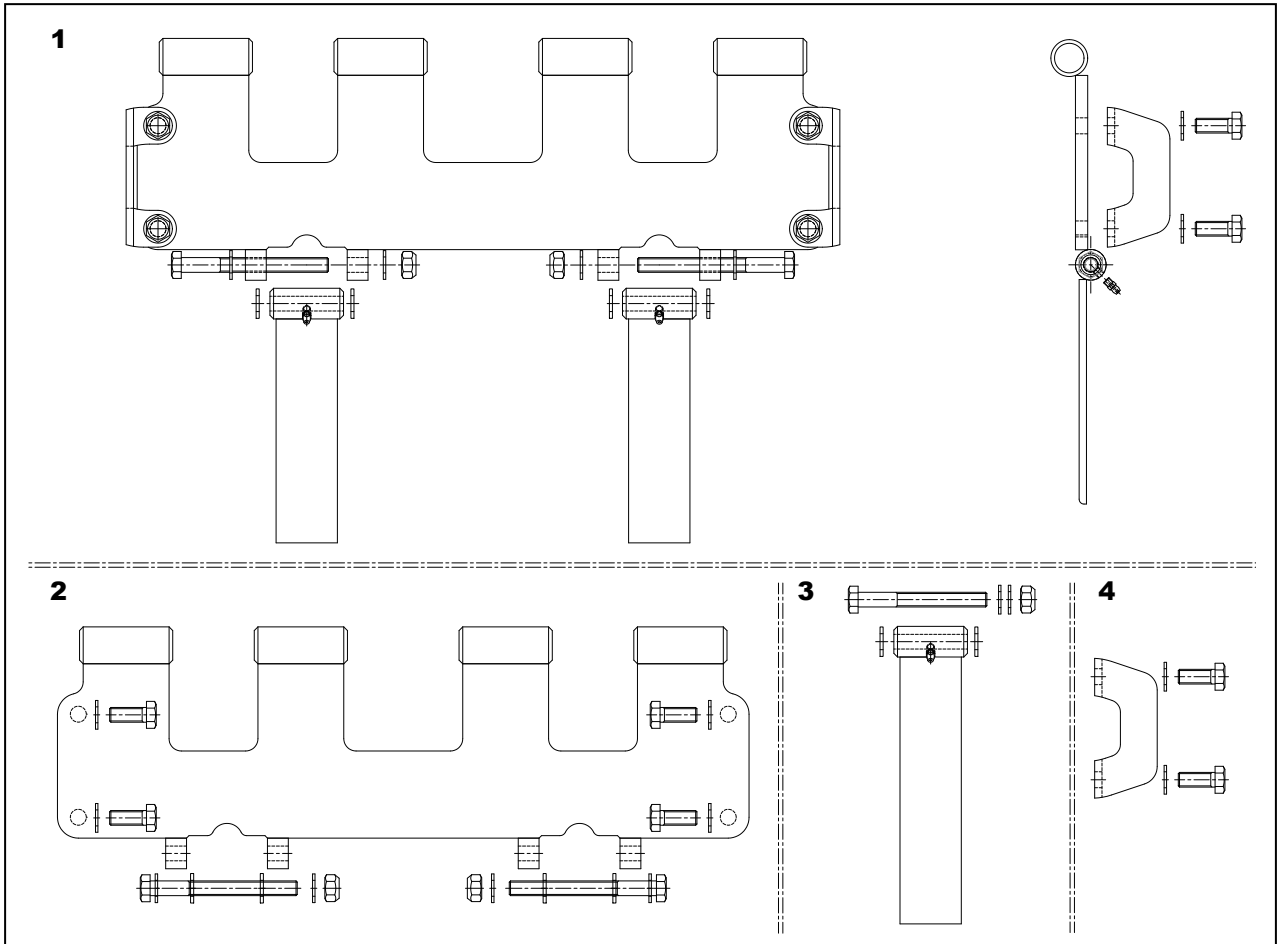
Part Number: 15 30 000 A



Block	Part No.	Part	Qty per Lifter	Unit Price
1	15 30 000 A	LIP CATCH FRAME ASSEMBLY (includes blocks 2 & 3)	1	R 2,450.00
2	07 91 101 K	BUSH KIT – Lip Catch Frame to Swing Arm	2	R 224.00
3	07 91 102 K	SPRING KIT – Lip Catch Frame	2	R 136.40

COMB PLATE ASSEMBLY

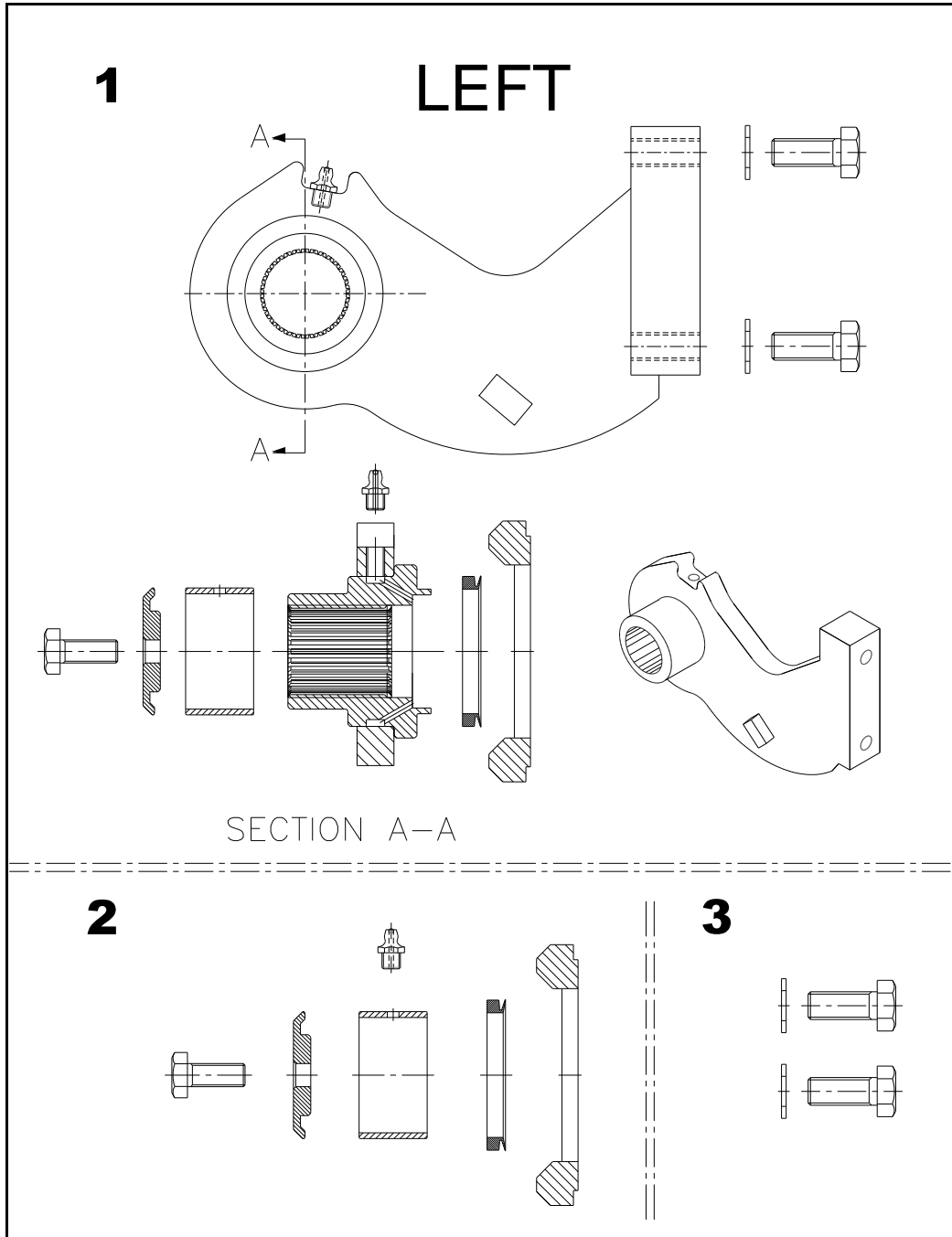
Part Number: 15 50 000 A



Block	Part No.	Part	Qty per Lifter	Unit Price
1	15 50 000 A	COMB PLATE ASSEMBLY (Includes blocks 2, 3 & 4)	1	R 2,185.00
2	15 52 100 K	COMB PLATE KIT	1	R 1,515.75
3	15 53 100 K	OVERTIP FLAP KIT	2	R 330.60
4	15 50 020 K	PLATE – Lid Comb Interlock Kit	2	R 144.70

FULCRUM ARM ASSEMBLY - LH

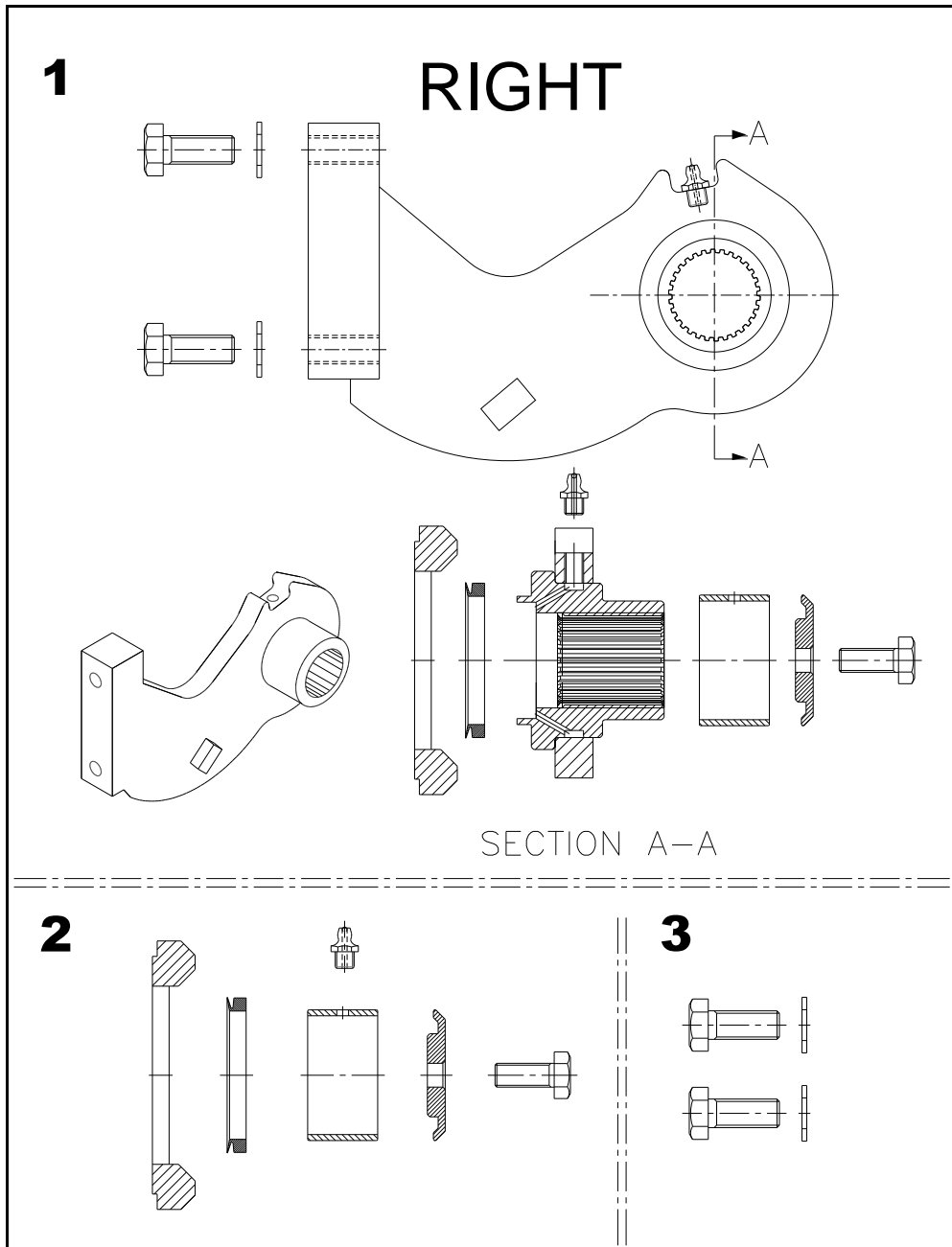
Part Number: 15 55 103 A



Block	Part No.	Part	Qty per Lifter	Unit Price
1	15 55 103 A	FULCRUM ARM ASSEMBLY – LH (incl. 2 & 3)	1	R 2,941.85
2	07 91 103 K	FULCRUM ARM SERVICE KIT	2	R 648.00
3	07 91 104 K	BOLT KIT - FULCRUM ARM TO COMB PLATE	2	R 45.00

FULCRUM ARM ASSEMBLY - RH

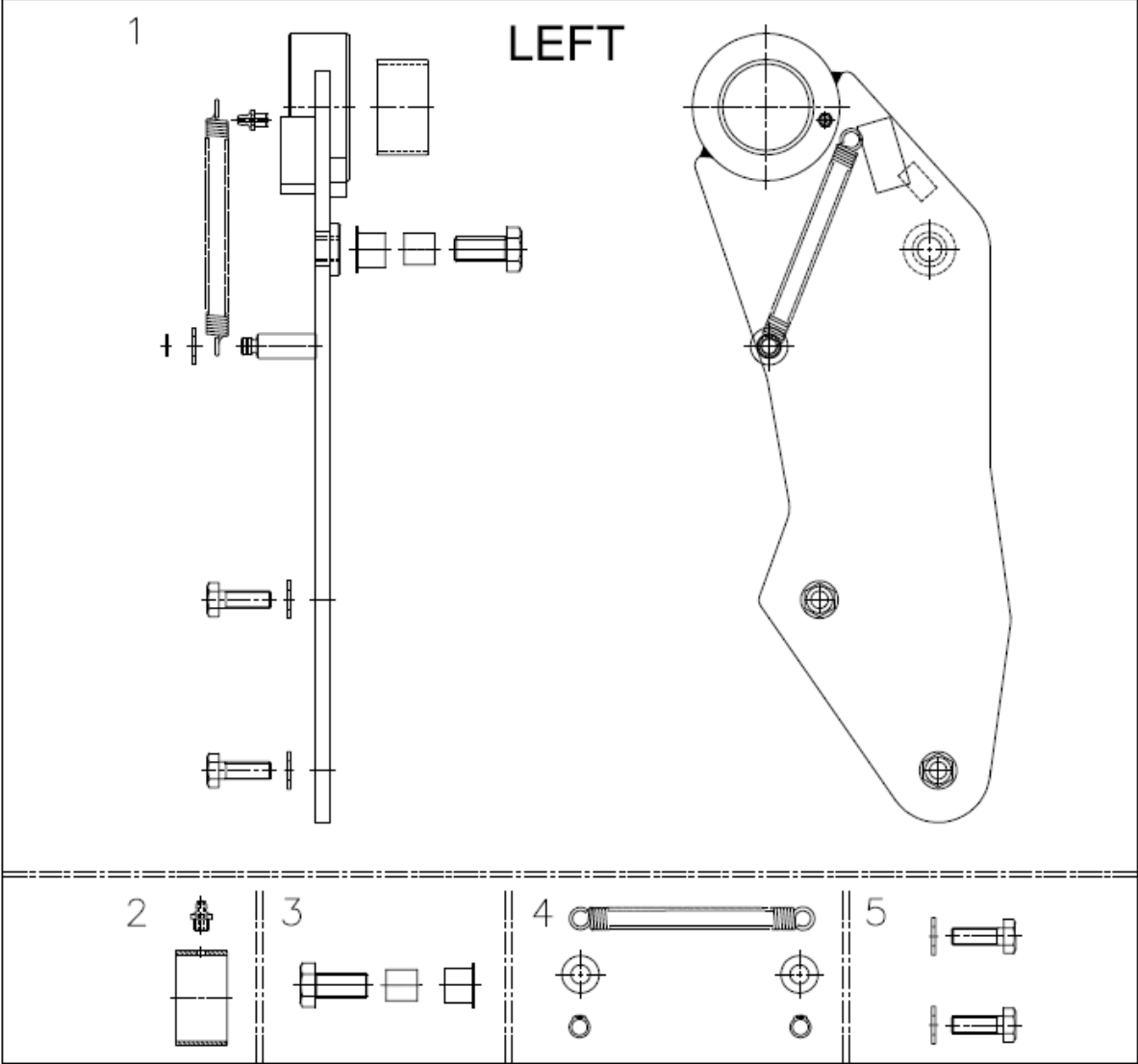
Part Number: 15 55 104 A



Block	Part No.	Part	Qty per Lifter	Unit Price
1	15 55 104 A	FULCRUM ARM ASSEMBLY – RH (incl. 2 & 3)	1	R 2,941.85
2	07 91 103 K	FULCRUM ARM SERVICE KIT	2	R 648.00
3	07 91 104 K	BOLT KIT - FULCRUM ARM TO COMB PLATE	2	R 45.00

SWING ARM ASSEMBLY - LH

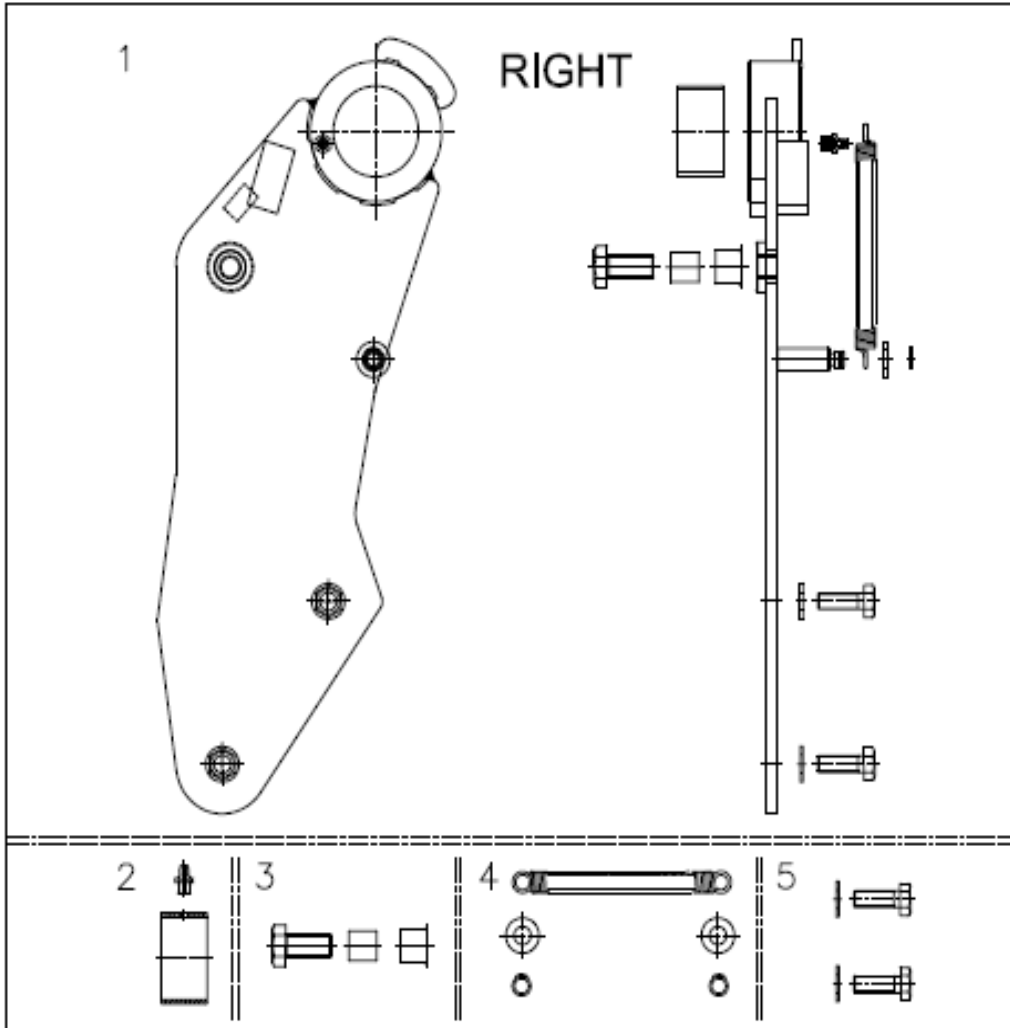
Part Number: 15 75 101 A



Block	Part No.	Part	Qty per Lifter	Unit Price
1	15 75 101 A	SWING ARM LH ASSEMBLY (Includes blocks 2, 3, 4 & 5)	1	R 2,046.70
2	07 91 105 K	SERVICE KIT – Swing Arm	2	R 262.40
3	07 91 101 K	BUSH KIT – Lip Catch Frame to Swing Frame	2	R 224.00
4	07 91 102 K	SPRING KIT – Lip Catch Frame	2	R 136.40
5	07 91 106 K	BOLT KIT – Swing Arm to Cross Member Box	2	R 40.50

SWING ARM ASSEMBLY - RH

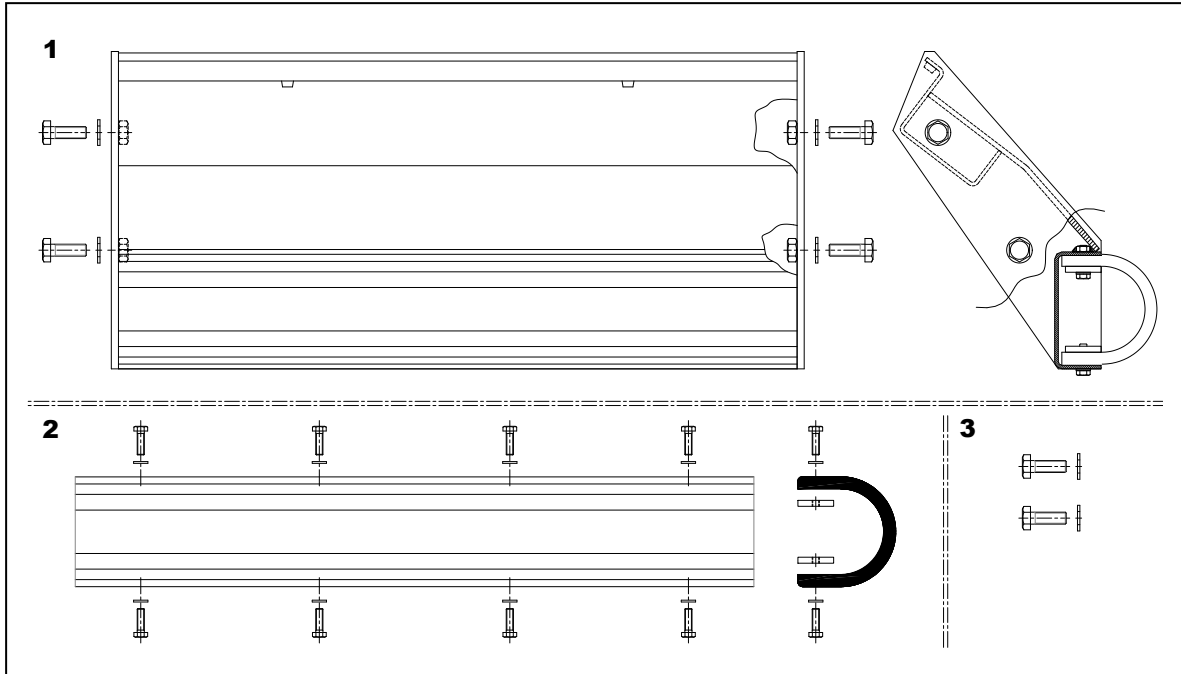
Part Number: 15 75 102 A



Block	Part No.	Part	Qty per Lifter	Unit Price
1	15 75 102 A	SWING ARM RH ASSEMBLY (LiftLogger compatible) (Includes blocks 2, 3, 4 & 5)	1	R 2,063.70
2	07 91 105 K	SERVICE KIT – Swing Arm	2	R 262.40
3	07 91 101 K	BUSH KIT – Lip Catch Frame to Swing Frame	2	R 224.00
4	07 91 102 K	SPRING KIT – Lip Catch Frame	2	R 136.40
5	07 91 106 K	BOLT KIT – Swing Arm to Cross Member Box	2	R 40.50

CROSS MEMBER BOX

Part Number: 15 76 100 A



Block	Part No.	Part	Qty per Lifter	Unit Price
1	15 76 100 A	CROSS MEMBER BOX ASSEMBLY (Includes blocks 1, 2, 3)	1	R 2,115.00
2	07 91 107 K	RUBBER PUSH PAD KIT – Cross Member Box	1	R 848.20
3	07 91 106 K	BOLT KIT – Cross Member Box	2	R 40.50

LIFTLOGGER SEE ANNOUNCEMENT

Part No	Part	Qty	Unit price
	<i>Basic LiftLogger Installation Kit for 2x ML 150's on one truck – Use Part Number 07 91 110 K</i>	1	Contact RAMM
ZSA070604 2168	Proximity Sensor Switch	1	Contact RAMM
15 11 108 P	Prox Switch Mounting Plate	1	Contact RAMM
07 64 611 V	Cable – Universal straight socket	1	Contact RAMM
07 64 620 V	Cable - Power supply to Logger	1	Contact RAMM
07 64 718 V	Processor Box only (without SIM card)	1	Contact RAMM

*** Above Part Numbers may be adjusted by RAMM ***

RAMM TECHNOLOGIES (Pty) Ltd Registration Number 68/00646/07
 Telephone 011 **453 5707** Facsimile 011 **453 0767**
 Southwick Office Park · 12 Seventh Avenue · Edenvale PO Box 745 · Edenvale · 1610
Directors L Welham
 Telephone (011) **453 3554** Facsimile (011) **453 6717**
 RAMM Systems (Proprietary) Limited Registration Number 98/02923/07
 12 Voortrekker Avenue Edenvale PO Box 745 Edenvale 1610
 Unit 512 Tyger Lake Tyger Falls Tygervalley PO Box 673 Sanlamhof 7532

8 December 2015

ANNOUNCEMENT

MECHLIFT and RAMM Technologies are pleased to announce that LIFTLOGGER, a product that has been developed and supported by MECHLIFT over the last seven years will now be taken over by RAMM Technologies.

RAMM Technologies has for the last two years developed considerable experience with LIFTLOGGER, supporting the City of Cape Town's initiative to tag and read all bins in the City.

Both companies wish to assure all LIFTLOGGER customers that the service which they have enjoyed from MECHLIFT (and MiX Telematics in some cases) will continue to be provided by RAMM Technologies. During the next couple of months RAMM Technologies will contact you and arrange appointments to discuss your LIFTLOGGER requirements.

Yours faithfully
 Lindsay Welham
 RAMM : Managing Director

Contact information:

Please feel free to contact us should you have any queries or need any further information:

Telephone:	+27 (0) 21 386 0404
Fax:	+27 (0) 21 385 1886
E-mail:	
... General enquiries	query@mechlift.com
... Sales matters	sales@mechlift.com
Web address:	www.mechlift.com
Physical Address:	84 Mobile Road Airport Industria Cape Town 7490 South Africa
Postal Address:	84 Mobile Road Airport Industria Cape Town 7490 South Africa

Note:

This spare parts book is valid for the period: **1st January 2017 till 31st December 2017**

The given price reflects the price for each unit, part or kit, some assemblies may require more than one of the same unit, part or kit. Mechlift (Pty) Ltd reserves the right to change prices and /or part numbers without notification.

Copyright ©

This publication, or parts thereof, may not be reproduced in any form, by any method, for any purpose, without prior written permission from Mechlift (Pty) Ltd

Liability

Whilst every attempt has been made to assure the accuracy of this manual, Mechlift (Pty) Ltd cannot accept responsibility for any errors, which may occur. All information given is subject to change without notice

